



# TS3300 SERIES INSTRUMENTS

## RUGGED TRADITION WITH MODERN PRECISION



Thurman Scale's most user-friendly and powerful instrument specifically designed for truck, rail, and hopper scales, featuring an intuitive operator experience and a remotely accessible supervisor interface for robust reporting, configuration, and diagnostics.

[THURMANSCALE.COM](http://THURMANSCALE.COM)



SINCE 1918

# TS3300 SERIES INSTRUMENTS

## RUGGED TRADITION WITH MODERN PRECISION

### User-Friendly Weighing with Smart Remote Management

A full color graphical display and simple, intuitive operating processes make the TS3300 easy to use from day one. Plain text alerts guide operators through each step, helping even new users perform accurate, repeatable weighments with confidence. Built in connectivity allows authorized users to remotely access the TS3300 web-server

from a computer or smart device on the same local network. From anywhere on site, users can quickly download transaction reports, manage product and customer records, perform diagnostics, and troubleshoot scale issues, streamlining daily operations, reducing downtime, and improving overall efficiency.



**NEMA 12**  
DESKTOP ENCLOSURE



**NEMA 4X**  
DESKTOP / WALL  
WASHDOWN ENCLOSURE



# 3

*Three standard operating modes for truck, rail, and industrial weighing:*

**1**

#### Gross - Tare - Net Mode

Standard weighing mode to allow a scale operator to perform simple weighments including the ability to tare weight based on the weight of the scale or enter manually using the keypad.

**2**

#### Inbound/Outbound Mode

Weigh trucks entering and exiting a facility to calculate gross, tare, and net weights of the vehicle and cargo. Easily recall truck IDs, monitor product inventory and track by customer or vendor.

**3**

#### Basic In/Out Mode

Print inbound and outbound tickets with either the gross weight or tare weight of a vehicle.

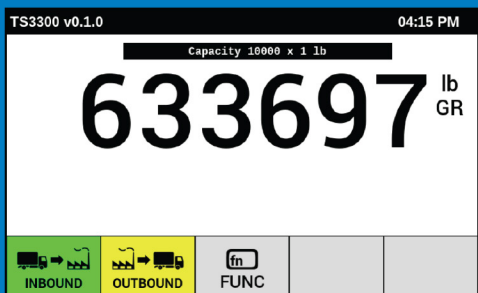




## Simple user operation for **Commercial Truck Scales**

### STEP 1

Weigh trucks as they enter and leave a site with bulk goods to automatically calculate the gross, tare and net weights of the goods delivered or shipped.



Select:



**FOR TRUCKS ENTERING THE SITE**



**FOR TRUCKS LEAVING THE SITE**

### STEP 2

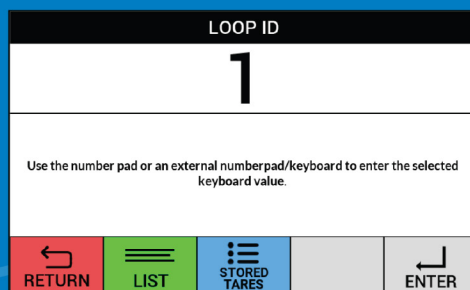
**For INBOUND Weighment:**

Set a LOOP ID for the first weighment so it can be recalled when the truck is re-weighed as it leaves.

Set the LOOP ID (sequential numbering or user defined) and press **ENTER** to save the inbound weight.

**For OUTBOUND Weighment:**

Recall the earlier LOOP ID for the outbound weighment by selecting from a list or entering it manually. Press **ENTER** to process and store the completed transaction.



3/4" WEIGHT CHARACTERS

OVERSIZED KEYPAD

BRIGHT 7" FULL COLOR DISPLAY

DYNAMIC MENU

TACTILE FEEDBACK KEYS

**B/G NET**

One-push selection from **Gross weight** to **Net weight**.

**UNITS**

Four selectable units of measure: Pounds, Kilograms, Tons, and Tonnes.

**TARE**

Set tare weights automatically or manually with keypad.

**ZERO**

Quickly "zero off" weight on the scale.

**PRINT ENTER**

Initiates print function.



ACCESSORY CABLE PORTS

FIELDBUS ACCESSORY CARDS  
ETHERNET/IP  
DEVICENET  
MODBUS TOP

TRAFFIC LIGHT RELAY ACCESSORY CARD

ANALOG OUTPUT ACCESSORY CARD

SERIAL EXPANSION CARD

2 STANDARD USB PORTS

ETHERNET TCP/IP PORT

POWER PORT

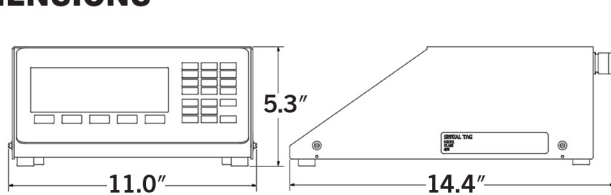
# TS3300 SERIES INSTRUMENTS

## RUGGED TRADITION WITH MODERN PRECISION

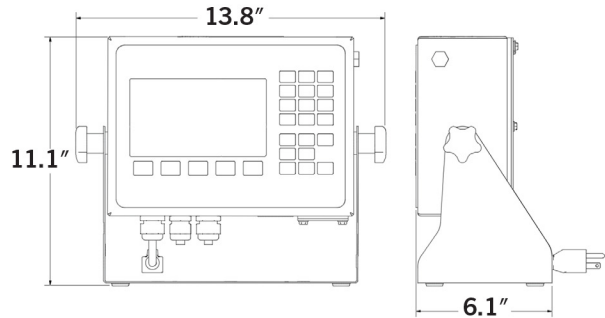
### SPECIFICATIONS

|                           |  |                          |  |
|---------------------------|--|--------------------------|--|
| Enclosure.....            | Stainless Steel & Aluminum Desktop (NEMA 12)<br>Stainless Steel Washdown for Desk/Wall (NEMA 4X) | Stored Tares.....        | 1,000  |
| Display.....              | Full color 800x400 TFT LCD with<br>LED Backlight 7" Diagonal                                     | Stored Products.....     | 1,000  |
| Load Cell Interface.....  | Analog or Intalogix  | Stored Customers.....    | 1,000  |
| Load Cells.....           | (10) 350 Ohm or (16) 1,000 Ohm   | Transaction Records..... | 10,000   |
| Display Characters.....   | 7/8" Tall  | Build In Webserver.....  | Standard   |
| User Interface.....       | Front Panel Pushbutton Keys<br>Or external keyboard (sold separately)                            | Accessories.....         | Analog mA Output (passive/active)<br>Analog V Output<br>Serial Expansion Card (RS232/RS485/20mA)<br>Traffic Light Relay Card<br>PLC Interface (DeviceNet, Ethernet/IP, Modbus TCP)<br>Supported Remote Displays<br>Supported Serial & USB Printers |
| Capacity.....             | Programmable to 999,999  | Approvals.....           | NTEP CC 25-080<br>MC# Pending  |
| Division Size.....        | 0.0001 to 100  |                          |  |
| Displayed Units.....      | lb, kg, ton, tonne   |                          |  |
| Accuracy Class.....       | III/IIIL   |                          |  |
| Humidity.....             | 0 to 90% (NEMA 12), 0 to 100% (NEMA 4X)  |                          |  |
| Programmable Prompts..... | 9  |                          |  |
| Number of Scales.....     | 1  |                          |  |

### DIMENSIONS



**NEMA 12  
DESKTOP ENCLOSURE**



**NEMA 4X  
DESKTOP / WALL  
WASHDOWN ENCLOSURE**

#### Accessories:

Seamlessly connect multiple scale accessories like printers, traffic lights, remote displays, PLC interfaces, and more.



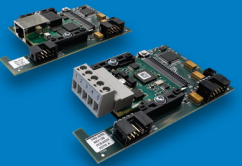
Traffic Lights



Remote Displays



Ticket and Tape  
Printers



PLC Interface Cards



#### Data & Connectivity:

Remotely connect to the TS3300 using a smart-device connected to the same TCP/IP network. View and download transaction reports, manage product and customer records, configure and troubleshoot a scale fault from a web browser.

Select the optional Intalogix load cell interface for unsurpassed accuracy and industry-leading lightning and surge protection. Designed to work with any analog load cell, Intalogix converts each load cell's analog signal at the scale into a more reliable digital signal with added protections. Maximize uptime with automated fault checking and plain-text notifications to the scale operator.



**(800) 688-9741**

Call between 8:00 a.m. – 5:00 p.m. Central Time  
6800 W. 64th Street • Overland Park, Kansas • 66202 • (614) 221-9077  
thurmanscale.com

