

# TM-T88VII THERMAL TAPE PRINTER

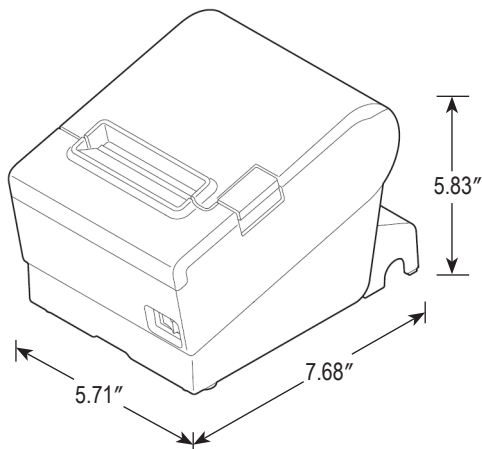


The TM-T88VII offers ultra fast transaction times with industry-leading print speeds, up to 500 mm/sec<sup>1</sup> and high-speed auto cutter.

## FLEXIBLE PRINTING AND ADVANCED CONNECTIVITY

- Easy-to-clean, water-resistant enclosure.
- Easy to understand — status LEDs and network diagnostic sheet improve on-site network troubleshooting
- Advanced paper-saving functions — top margin and character height reduction help reduce paper usage by up to 49 percent.

## DIMENSIONS



## At A Glance

Models and specifications subject to change without notice.  
Printed in the USA. © Thurman Scale

## SPECIFICATIONS

### Print

Method . . . . .	Thermal line printing
Speed . . . . .	500 mm/sec (19.7"/sec) maximum for graphics and text
Resolution . . . . .	180 dpt
Column capacity . . . . .	Font A/B (ANK): 80 mm mode 41/48/56 columns

### Media

Type . . . . .	Thermal roll paper
Thickness . . . . .	48-80 um
Feed method . . . . .	Friction feed
Back feed . . . . .	Yes
Paper loading . . . . .	Drop-in
Roll diameter (Max.) . . . . .	3.27"/83 mm
Core diameter (Min.) . . . . .	0.71"/18 mm
Paper guide . . . . .	Yes
Auto cutter . . . . .	Yes
Near-end sensor . . . . .	Yes

Interface . . . . .	Fixed, built-in USB
Printer reliability . . . . .	20 million printing lines
MTBF . . . . .	360,000 hours
MCBF . . . . .	70,000,000 lines
Thermal head life . . . . .	200 km
Auto cutter reliability . . . . .	3.0 million cuts
Data buffer . . . . .	Receive: 45 bytes or 4KB, selectable, user-defined, 12KB
LED indicators . . . . .	Orange LEDs - Error, Paper out; Blue LEDs - Power
Sensors . . . . .	Paper end, Cover open, near-end sensor
Power consumption . . . . .	Operating 28.6 W, Standby 1.4W, Power source 24 VDC +/- 7%
Power saving mode . . . . .	Yes
Relative humidity . . . . .	10% to 90%
Enclosure . . . . .	Black, ABS casing (recyclable)
Dimensions . . . . .	5.71" x 7.68" x 5.83" (145 mm x 195 mm x 148 mm)
Weight . . . . .	3.74 lbs / 1.7 kg
Standards and approvals . . . . .	EMI FCC Class A, IEC-003 Class A Safety Standard UL62368-1/CSA C22.2 No. 62368-1

Call toll-free for the Thurman Scale Distributor representative nearest you:

**(800) 688-9741**

thurmanscale.com

05/26 104986