

CONCRETE POURING & FINISHING INSTRUCTIONS FOR SCALE DECK:

- REFER TO SCALE INSTALLATION MANUAL PRIOR TO SETTING SCALE PANELS.
- MASK THE GAPS BETWEEN MODULES WITH DUCT TAPE. MASK INNER END OF COUPLING NUTS.
- POUR CONCRETE IN EACH MODULE. USE 4000 PSI CONCRETE MINIMUM. 5%-7% AIR ENTRAINMENT. APPROX. 23 CU. YD. OF CONCRETE REQD. FOR SCALE DECK. NOTE: DO NOT CAST UNLESS TEMPERATURE IS ABOVE 40 DEGREES FAHRENHEIT. CONSOLIDATE CONCRETE BY USE OF A VIBRATOR TO ASSURE A THOROUGH FILL.
- FINISH THE CONCRETE DECK WITH A BULL FLOAT AND HAND TROWEL OR BROOM TO THE DESIRED FINISH.
- REMOVE DUCT TAPE AND CLEAN THE EXCESS CONCRETE FROM THE SIDES OF THE SCALE.
- THE CONCRETE IS TO BE MOIST CURED FOR SEVEN DAYS OR MAY ALTERNATIVELY RECEIVE A COAT OF LIQUID CURING COMPOUND.
- DO NOT USE OR CALIBRATE THE SCALE UNTIL THE DECK IS CURED AND HAS REACHED 4000 PSI MINIMUM COMPRESSIVE STRENGTH.

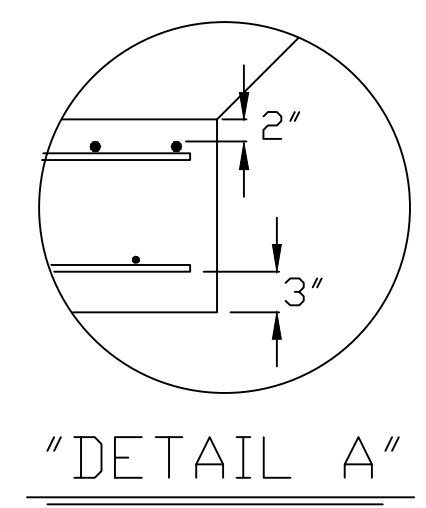
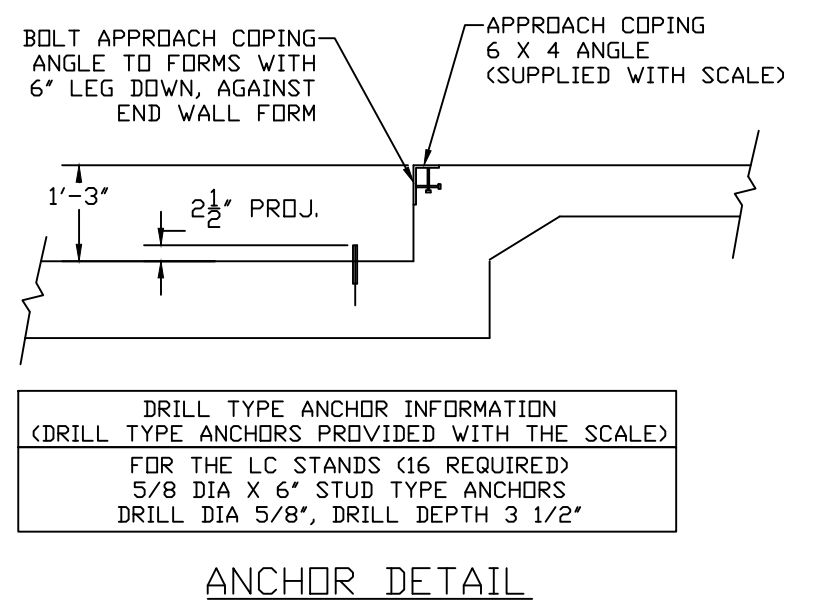
NOTES:

- FOUNDATION SHOWN IS DESIGNED FOR SOILS WITH A MINIMUM BEARING CAPACITY OF 2000 PSF AND ADEQUATE DRAINAGE. IF SOIL CONDITIONS DO NOT MEET THESE REQUIREMENTS, ADJUST FOUNDATION OR SOIL CONDITIONS AS REQUIRED.
- IN AREAS OF THE COUNTRY WHERE THERE IS SEVERE FREEZING, INCREASE THE DEPTH OF THE FOUNDATION SO THAT THE BOTTOM EXTENDS BELOW THE FROST LINE, OR PROVIDE A MINIMUM OF 12" FREE DRAINING GRANULAR MATERIAL TO PREVENT FROST HEAVE.
- N.I.S.T. H-44 REQUIREMENTS AND LOCAL WEIGHTS AND MEASURES REGULATIONS MAY REQUIRE INSTALLATION PARAMETERS SOMEWHAT DIFFERENT THAN ILLUSTRATED ON THIS PLAN. IN ORDER TO INSURE COMPLIANCE, CONSULT THE LOCAL WEIGHTS & MEASURES OFFICE PRIOR TO CONSTRUCTION.
- REFER TO SCALE MANUAL FOR INSTALLATION AND OPERATION INSTRUCTIONS.
- A MINIMUM OF 24" OF CLEARANCE IS REQUIRED ON JUNCTION BOX SIDE OF THE SCALE NEAR THE BOX MOUNTS.

FOUNDATION CONCRETE REQUIREMENTS 4000 P.S.I.	
AREA	QUANTITIES
SCALE SLAB	30 CU. YD.
APPROACHES	7 CU. YD.
<b>TOTAL</b>	<b>37 CU. YD.</b>

FOUNDATION REINFORCING BAR SCHEDULE ASTM A615 GRADE 60					
MARK	NO.	REQ'D.	SIZE	LENGTH	WT.
HR1	159	#4	10'-6"		1116
HR2	22	#4	9'-6"		140
HR3	88	#4	5'-0"		294
HR4	33	#4	21'-0"		463
VR1	44	#4	1'-9"		52
<b>TOTAL WT:</b>					<b>2,065</b>

- REINFORCING STEEL NOTES:
- REINFORCING STEEL SHALL BE FREE OF ALL MUD, DEBRIS, CEMENT GROUT, LOOSE RUST, GREASE, AND OIL.
  - TACK WELDING OF BARS IS PROHIBITED.



THIS DRAWING IS SUPPLIED AS CHECKED BELOW:

REFERENCE (ESTIMATES ONLY, NOT FOR CONSTRUCTION)  
 CERTIFIED FOR CONSTRUCTION, THURMAN #  
 CUSTOMER: \_\_\_\_\_ DATE: \_\_\_\_\_  
 CUSTOMER APPROVAL, RETURN ONE COPY.  
 (ORDER ON HOLD UNTIL SIGNED COPY IS RETURNED)  
 APPROVED AS DRAWN, APPROVED BY: \_\_\_\_\_ DATE: \_\_\_\_\_  
 APPROVED AS NOTED, APPROVED BY: \_\_\_\_\_ DATE: \_\_\_\_\_

LET	BY	DATE	REVISION
2	JCR	9/8/11	CORRECTED CLEARANCE DIMENSION, SEE SAY 5 7/8"
1		6/23/10	CHANGED REBAR NOTE

**THURMAN SCALE**  
 COLUMBUS, OH

8550 DIAMONDBACK 90K CLC 70' X 11'  
 FULL SLAB (4 SECTION, DB LC)

DATE: 1/10/10  
 SCALE: N/A  
 DRAWN BY: NDC  
 CHECKED BY: \_\_\_\_\_  
 APPROVED BY: \_\_\_\_\_

DRAWING NUMBER: 92361-SL  
 SHEET 1 OF 1  
 REVISION: 2