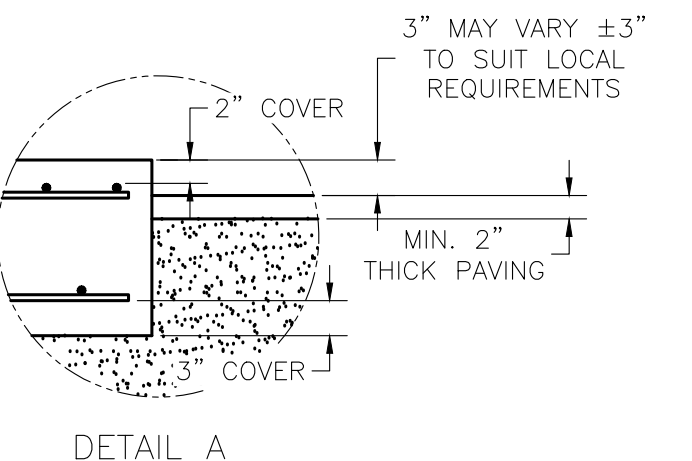


DRILL TYPE ANCHOR INFORMATION
(DRILL TYPE ANCHORS PROVIDED WITH THE SCALE)

FOR THE CORNER STANDS (16 REQUIRED)
FOR THE FULCRUM & LC STANDS (10 REQUIRED)
5/8 DIA X 6\"/>



N.I.S.T. H-44 REQUIRES THAT ON THE APPROACH ENDS OF THIS VEHICLE SCALE, THERE SHALL BE A STRAIGHT APPROACH AT LEAST HALF THE LENGTH OF THE PLATFORM, BUT NOT REQUIRED TO BE MORE THAN 40 FEET. NOT LESS THAN 10 FEET OF ANY APPROACH ADJACENT TO THE PLATFORM SHALL BE LEVEL AND CONSTRUCTED OF CONCRETE OR SIMILAR DURABLE MATERIAL. ANY SLOPE IN THE REMAINING PORTION OF THE APPROACH SHALL INSURE EASE OF VEHICLE ACCESS, EASE FOR TESTING PURPOSES, AND DRAINAGE AWAY FROM THE SCALE.

OPTIONAL PAVED SURFACE (NON-LOAD BEARING) CONCRETE OR ASPHALT BETWEEN PIERS TO FACILITATE CLEANING. A 12\"/>

MODULE REINFORCING SCHEDULE						
ASTM 615 - GRADE 60						
MODULE	MARK	QTY	SIZE	LENGTH	WEIGHT (LBS)	COMMENT
(2) 25'x11'	D1	52	#4	10'-6"	365	(26) LAT. EA. MODULE
	D2	44	#4	24'-6"	721	(22) LONG. EA. MODULE
20'x11'	D1	21	#4	10'-6"	148	(21) LAT. EA. MODULE
	D2	22	#4	19'-6"	287	(22) LONG. EA. MODULE
TOTAL WEIGHT					1,521	

FOUNDATION REINFORCING SCHEDULE						
ASTM 615 - GRADE 60						
MARK	QTY	SIZE	LENGTH	WEIGHT (LBS)	COMMENT	
HR1	30	#4	9'-6"	191	LONG. EA. APPROACH	
HR2	96	#4	14'-11"	957	LAT. EA. APPROACH; PIER	
HR3	120	#4	3'-0"	241	LONG. EA. PIER	
HR4	2	#4	5'-0"	7	LONG. DUAL FULCRUM PIER	
HR5	12	#4	1'-4"	11	LAT. EA. FULCRUM PIER	
HR6	6	#4	2'-0"	9	LONG. EA. FULCRUM PIER; LC PIER	
HR7	3	#4	1'-0"	2	LAT. LOAD CELL PIER	
VR1	60	#4	3'-1"	124	VERT. EA. END WALL	
TOTAL WEIGHT					1,542	

FOUNDATION CONCRETE		
4000 PSI MINIMUM		
LOCATION	QTY (CU. YDS)	
PIERS AS SHOWN	13.3	
FLOOR AT 2" THICK	5.6	
APPROACHES	10.0	
MODULES	14.4	
OPTIONAL APPROACH SUPPORTS	3.2	
TOTAL CONCRETE	46.5	

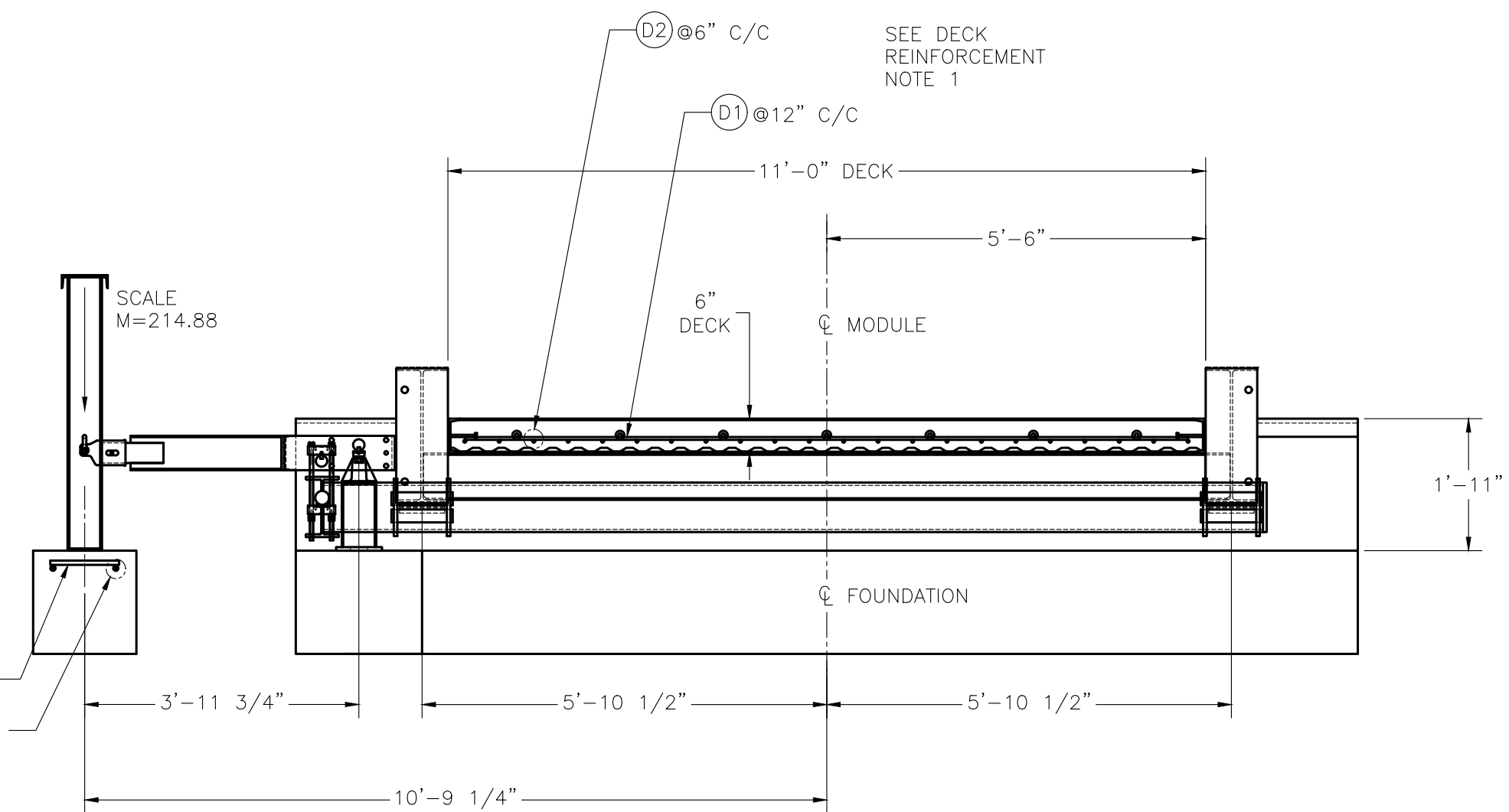
CONCRETE POURING & FINISHING INSTRUCTIONS FOR SCALE DECK:
1. FINISH THE CONCRETE DECK WITH A BULL FLOAT AND HAND TROWEL OR BROOM TO THE DESIRED FINISH.
2. THE CONCRETE IS TO BE MOIST CURED FOR SEVEN DAYS OR MAY ALTERNATIVELY RECEIVE A COAT OF LIQUID CURING COMPOUND.
3. DO NOT USE OR CALIBRATE THE SCALE UNTIL THE DECK IS CURED AND HAS REACHED 4000 PSI MINIMUM COMPRESSIVE STRENGTH.

NOTES:

- FOUNDATION DESIGN IS BASED ON A MINIMUM SOIL BEARING CAPACITY OF 3000 LB/SQ. FT. FOR SOIL CONDITIONS WHICH DO NOT MEET THIS SPECIFICATION, CONSULT WITH THE THURMAN SCALE COMPANY.
- THE FOUNDATION SHALL BE INSTALLED AT AN ELEVATION AND LOCATION TO INSURE ADEQUATE DRAINAGE AWAY FROM SCALE. A PERIMETER TRENCH AND AGGREGATE BASE MAY BE ADDED IF DRAINAGE IS NOT SUFFICIENT TO MAINTAIN 3000 LB/SQ. FT. BEARING CAPACITY.
- BOTTOM OF FOOTERS SHOULD EXTEND BELOW THE FROST LINE. AN 18 INCH FOOTER DEPTH IS MINIMUM.
- N.I.S.T. H-44 REQUIREMENTS AND LOCAL WEIGHTS AND MEASURES REGULATIONS MAY REQUIRE INSTALLATION PARAMETERS SOMEWHAT DIFFERENT THAN ILLUSTRATED ON THIS PLAN. IN ORDER TO INSURE COMPLIANCE, CONSULT THE LOCAL WEIGHTS & MEASURES OFFICE PRIOR TO CONSTRUCTION.
- CONCRETE OF 4000 PSI MINIMUM COMPRESSIVE STRENGTH IS REQUIRED, WITH 5-7% AIR ENTRAINMENT. VIBRATE CONCRETE WHEN POURING. FOLLOW LATEST ACI REQUIREMENTS FOR MATERIALS AND CONSTRUCTION. DO NOT CAST UNLESS TEMPERATURE IS ABOVE 40 DEGREES FAHRENHEIT.
- PIERS MUST BE LEVEL AND IN THE SAME PLANE WITHIN ±1/8 INCH.
- EXCAVATION, FORMS, REINFORCING STEEL, GUARD POSTS, AND CONCRETE FURNISHED BY OTHERS.
- DO NOT PLACE REBAR IN CLOSE PROXIMITY OF ANCHOR BOLTS.

DECK REINFORCEMENT

- CORRUGATED PAN SHOULD RUN WITH THE LENGTH OF THE SCALE ACROSS THE CROSSBEAMS. RECOMMENDED SIZE: 22GA, 6" PITCH, 1 1/2" MAX. CORRUGATE HEIGHT IF SUPPLIED WITH OPTIONAL REBAR MAT, TIE BELOW STUDS. IF REINFORCEMENT SUPPLIED BY OTHERS, PLACE D2 BARS ON THE PAN BEFORE TYING TWO OF THE D1 BARS TO THE BOTTOM OF THE STUDS. THEN TIE REMAINING D1 BARS TO THE TOP OF THE D2 BARS.
- POUR CONCRETE. SEE NOTE 5 ABOVE.
- CAUTION! THE MAIN GIRDERS SHOULD NEVER BE USED AS A STEP. SLIPPERY WHEN WET.



THIS DRAWING IS SUPPLIED AS CHECKED BELOW:
 REFERENCE (ESTIMATES ONLY, NOT FOR CONSTRUCTION)
 CERTIFIED FOR CONSTRUCTION, THURMAN SERIAL#
 CUSTOMER: _____ DATE: _____
 CUSTOMER APPROVAL, RETURN ONE COPY.
 ORDER ON HOLD UNTIL SIGNED COPY IS RETURNED
 APPROVED AS DRAWING, APPROVED BY: _____ DATE: _____
 APPROVED AS NOTED, APPROVED BY: _____ DATE: _____

REVISIONS			
REV	BY	DATE	DESCRIPTION
1	JCR	5/21/2015	UPDATED ANCHOR LOCATIONS FOR LARGER CORNER STANDS (8" WAS 6")

8130 90K 70'x11'
(PIER TYPE FOUNDATION, 4 SEC)

THURMAN SCALE
COLUMBUS, OH

SCALE: NTS DRAWN: JCR CHECKED: _____
 SHEET: 1 OF 1 DATE: 01/20/12 APPROVED: _____
 DRAWING NUMBER: 92667-FT REV: 1